

Wound Field DC Motors 65-66-67-68

From 0.18 to 0.73 Kw

These DC motors wound field, are produced in four models 65-66-67-68, in 12 or 24 vdc. Its main application in the business of transportation, is air conditioning and heating. Two alternatives are provided with housing, open (IP10) and enclosed (IP40). They are coupled to gearboxes owing its use for industrial use applications varied. A request can be made for other voltages.

El The field winding may be of two types:

- **Type Serial** for applications that require a large starting torque, ideal for electric traction.

- **Type Shunt** for applications requiring constant speed.

Features:

- Aluminum housing, standard G71 (IRAM 2192) Laminated magnetic circuit, reduce eddy current losses, and allows the electronic speed control PWM.

SAE 1040 steel shaft mounted on self-lubricating bearings 6203 2RS.

- Insulation class F.

- Robust commutator and brushes for long-life and continuous service



Models Available:

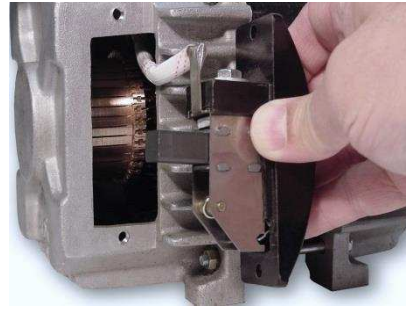
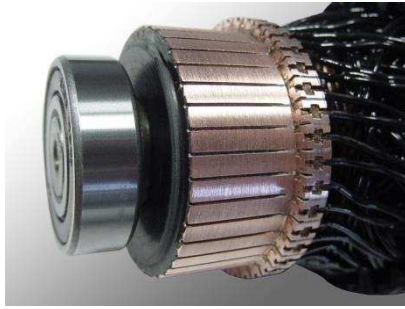
Modelo	Pot (Kw)	U (vcc)	I (Amp)	T (Nm)	N (RPM)	Peso (Kg)
651201	0.18	12	22	1.0	1750	7
652401	0.18	27	11	1.0	1750	7
661201	0.36	13.5	40	2.0	1750	8
662401	0.36	27	20	2.0	1750	8
671201	0.45	13.5	48	2.8	1600	10
672401	0.45	27	24	2.8	1600	10
682401	0.73	27	35	3.9	1750	12



web: www.remssi.com.ar email: info@remssi.com.ar

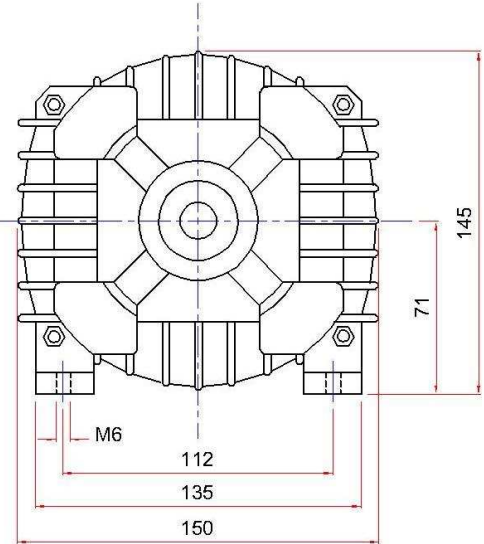
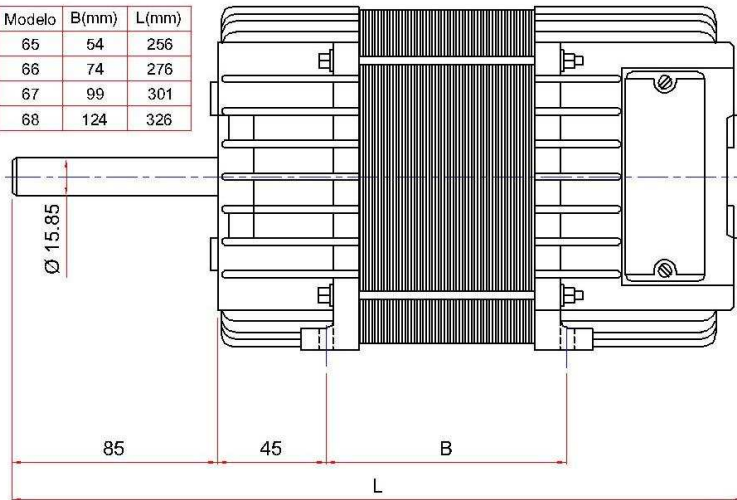
Tel: (5411)4653-0466/4488-4211 Fax: (5411)4488-6545
Pueyrredón 4243-Ciudadela-Buenos Aires(1702) - Argentina

Commutator and Brushes detail



Dimensiones (mm)

Modelo	B(mm)	L(mm)
65	54	256
66	74	276
67	99	301
68	124	326



Model 662420 – 661220 with gear box

662401 and 661201 motors, support mounting a frontal reducer gear box R= 1:4.5

This gearmotor is ideal for electric traction, applicable to various types of mobile autonomous battery.

The output shaft is a gear for pitch chain 1/2 ", with 9 teeth.

These motors have gear-shaft and mesh with a crown of bronze, mounted on self-lubricating bearings.

Have access for inspection and lubricant added.

With this gearbox are achieved following torque and RPM:

Model	U (Vcc)	I (A)	T (Nm)	n(RPM)
661220	12	40	8.6	380
662420	24	20	8.6	380

